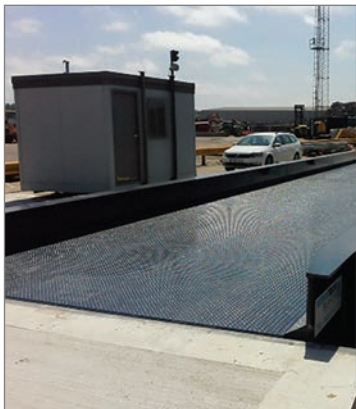


THE AGRIDECK-DT WEIGHBRIDGE RANGE



THE STANDARD AGRI-DT MODEL

The robust Agri-DT weighbridge has a fully welded drive-through steel structure, designed to withstand very high concentrated loads and continual use, making it ideal for harsh working environments.



The Agri-DT is ideal for both permanent and temporary installations, where heavy duty vehicle weighing is required.

Applications include:

- **Farms**
- **Quarries**
- **Bio-Energy plants**
- **Cement Works**
- **Ports and Terminals**
- **Waste Recycling installations**
- **Chemical Plants**
- **Energy from Waste Plants**

WHY CHOOSE AN AGRI-DT WEIGHBRIDGE?

DURABILITY

Its steel structure is designed to withstand very high concentrated loads, as well as avoid any build up of materials beneath the deck.

RELIABILITY

The Agri-DT meets with all the latest European approvals and directives.

PERFORMANCE

The design uses only 6 load cells, reducing both electronic liability and out of warranty maintenance costs.

The design also lends itself to retrofit applications, allowing installations to be carried out quickly with the minimum of disruption to day-to-day operational activities. For certain competitor specific retrofit applications, the load cell assemblies can be mounted on the inside of the longitudinal beams.

AGRI-DT MODELS CB & CBM MODULAR AND SLOPING END

Parkerfarms latest Agri-DT CB and CBM weighbridge designs highlight the company's continued innovation in the development of legal for trade vehicle weighing equipment, gained from extensive experience over the past four decades.

The low profile entry-exit sloping deck structure provides an efficient, cost effective design, whilst the deep profile, robust longitudinal beams offer an extremely rigid structure. This raised beam design also removes the need for additional side rails.

The CB version is constructed as an integrated single structure, whilst the CBM modular version consists of two identical half modules. CBM Modular version can be delivered & installed using a HIAB equipped delivery vehicle therefore not needing additional crane hire.

Both versions are also available as single-end entry construction with end frame stops at one end.



Technical Specifications

Model	Capacities	Length (m)	Width (m)
Agri-DT	40t	9.0	Up to 4.5
	40t	12.0	Up to 4.5
	50t	13.0	Up to 4.5
	50t	14.0	Up to 4.5
	60t	15.0	Up to 4.5
	60t	16.0	Up to 4.5
	60t	18.0	Up to 4.5
Agri-DT CB	30t	9.0	3.0
	50/60t	15.0	3.0-3.5
	50/60t	16.0	3.0-3.5
	50/60t	18.0	3.0-3.5
Agri-DT CBM	50/60t	15.0	3.0-3.5
	50/60t	16.0	3.0-3.5
	50/60t	18.0	3.0-3.5

Bespoke sizes are available to special order, please consult the factory.

LOADCELLS AND FOUNDATIONS

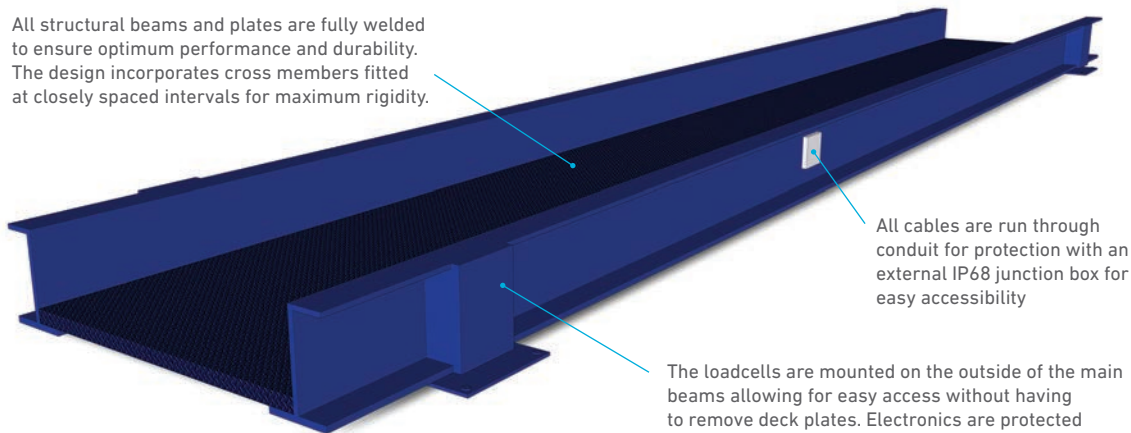
CPD-M OR ANALOGUE CPR-M LOAD CELLS

The Agri-DT weighbridge can be installed with either digital CPD-M or analogue CPR-M load cells. The above ground load cell assemblies provide easy access and minimise the build-up of debris around the load cell.

Both load cell versions feature fully welded stainless construction and this, together with the hermetically sealed cable entry, provides ingress protection to the IP69K standard for ultimate long-term reliability. The proprietary load cell mounting hardware ensures optimum load introduction.

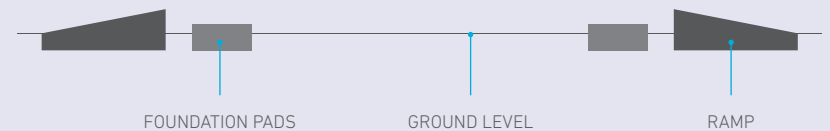
For dedicated hazardous area installations, the load cells can be provided in ATEX versions. Further information is available on request.

All structural beams and plates are fully welded to ensure optimum performance and durability. The design incorporates cross members fitted at closely spaced intervals for maximum rigidity.



The sloping end design is ideal for both shallow pit and surface applications. Maximum pit depth requirement is only 200mm, thereby reducing civil engineering costs.

For surface applications, the 1,200mm sloping section of the weighbridge reduces the required length of the steel ramps to only 1,800mm, thereby reducing the cost and optimising space.



SIDE VIEW OF SIMPLE AGRI-DT FOUNDATION



SIDE VIEW OF AGRI-DT WEIGHBRIDGE



END VIEW OF AGRI-DT WEIGHBRIDGE



FM 584346



HEAD OFFICE
Titan Works, Bridge Way
Chesterfield Trading Estate
Chesterfield S41 9QJ
T: 01246 260062

SOUTH WEST OFFICE
Unit 4B Block 4, Westpark
Chelston, Wellington
Somerset TA21 9AD
T: 01823 662355

www.parkerfarm.com
sales@parkerfarm.com
Freephone: 0808 178 2513

PARKERFARM
WEIGHING SYSTEMS